



# VENTILATED WORKSTATION DOWNDRAUGHT TABLE

## SUITABLE DUST TYPES

- plastic
- composite
- aluminium
- glass
- carbon
- and more

## EXAMPLE APPLICATIONS

- + Precision-grinding and fitting parts
- + Cleaning small parts
- + Manual sanding
- + Dust control at finishing work
- + Dust control at small weighing work
- + Dust control at mixing stations
- + Retouching paintwork
- + Extracting pollutants (polish, varnish, etc.)
- + and more



## Designed to:

- + Ensure a clean and protected working environment
- + Safeguard your employees
- + Conform to applicable regulations



## THREE LEVELS OF FILTRATION FOR OPTIMUM RESULTS

**BENEFITS:**  
Facilitates air recirculation within the workspace in the case of non-CMR dusts  
**Energy savings**

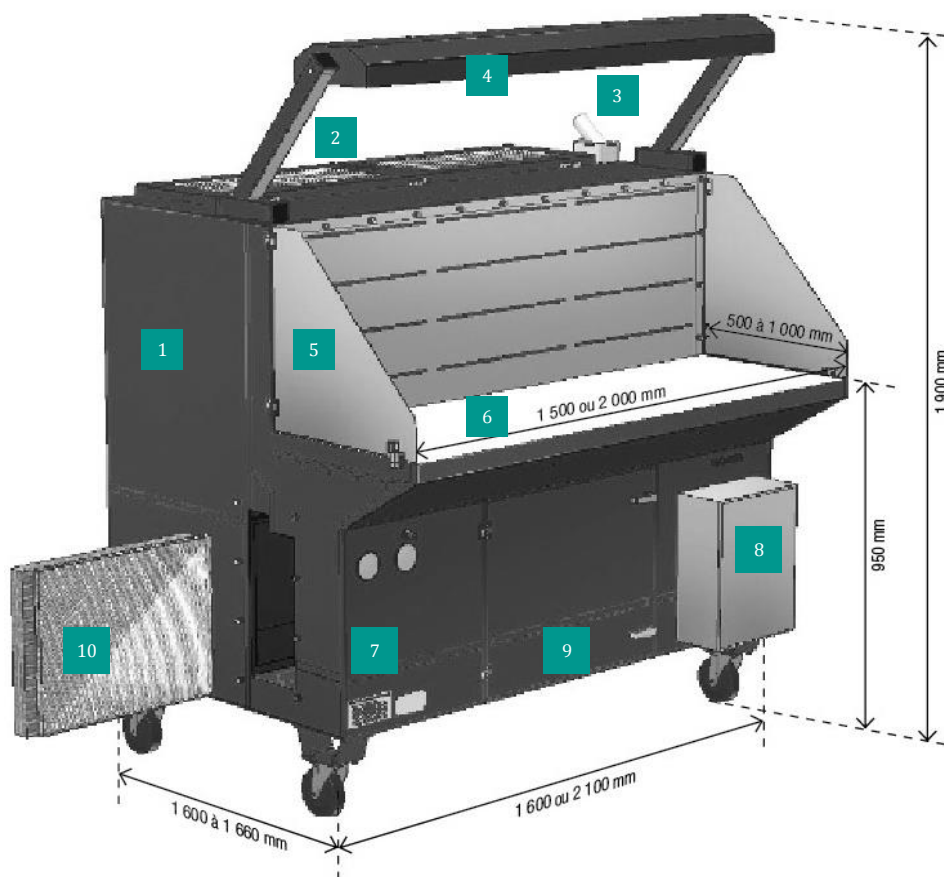
EN 779 STANDARD				EN1822 STANDARD				
Average efficiency of synthetic dust		WIRE MESH FILTER	Average efficiency with 0.4 µm particles		MINI PLEAT FILTER	Purification efficiency		
C1 < 65 %	Large particles		M5 < 60 %	Medium-sized particles		E10 > 85 %	MINI PLEAT FILTER	H14 > 99,995 %
C2 < 80 %			M6 < 80 %			E11 > 95 %		U15 > 99,9995 %
C3 < 90 %			F7 < 90 %	Small particles		E12 > 99,5 %	U16 > 99,99995 %	
C4 ≥ 90 %			F8 < 95 %			H13 > 99,95 %	U17 > 99,999995 %	
	F9 ≥ 95 %							

## SAFETY

- + Aspiration speeds comply with the recommendations of the French body for occupational health and safety (INRS)
- + Level of filter contamination monitored by 2 pressure gauges
- + Easy to maintain

- 1 Fans
- 2 E11 finishing filters (or activated carbon filters - optional)
- 3 Power socket
- 4 Adjustable lighting strip
- 5 Articulated side panels
- 6 Non-scratching work surface \*
- 7 Pressure gauges
- 8 Electrical control cabinet
- 9 Particle recovery units
- 10 G3 + M5 pre-filters

\* Payload = 100 kg/m<sup>2</sup>



## FEATURES

- + Treated air circulation : 2 700 m<sup>3</sup>/h to 6 300 m<sup>3</sup>/h
- + 2 x 1.27 kW fans
- + Fully mobile (swivel castors)
- + 2 x pressure gauges
- + Lateral access covers to the G3/M5 filters
- + Noise level at 1 m: 68 dB(A) ± 2 dB (in accordance with EN ISO 3746)
- + Plug and play: requires a simple single phase power supply (230 V - 16 A)

## OPTIONAL EXTRAS

- + Vice holders
- + 2 x pressure sensors with warning lights to indicate when the filters are contaminated
- + Activated carbon finishing filters
- + Translucent side panels



## MAINTENANCE

For filter changes or spare parts, contact:  
Delta Neu Services & Maintenance  
[maintenance@delta-neu.fr](mailto:maintenance@delta-neu.fr)

Tel. +33 (0) 3 20 10 53 62

## AVAILABLE MODELS

MODEL	OVERALL DIMENSIONS (mm)			WEIGHT (kg)
	Length	Width	Height	
1500 x 500	1160	1600	1900	340
1500 x 600	1260	1600	1900	350
1500 x 700	1360	1600	1900	360
1500 x 800	1460	1600	1900	370
1500 x 900	1560	1600	1900	380
1500 x 1000	1660	1600	1900	390
2000 x 500	1160	2100	1900	410
2000 x 600	1260	2100	1900	420
2000 x 700	1360	2100	1900	430
2000 x 800	1460	2100	1900	440
2000 x 900	1560	2100	1900	450
2000 x 1000	1660	2100	1900	460

The manufacturer expressly reserves the right to make any changes to these models that it deems necessary.